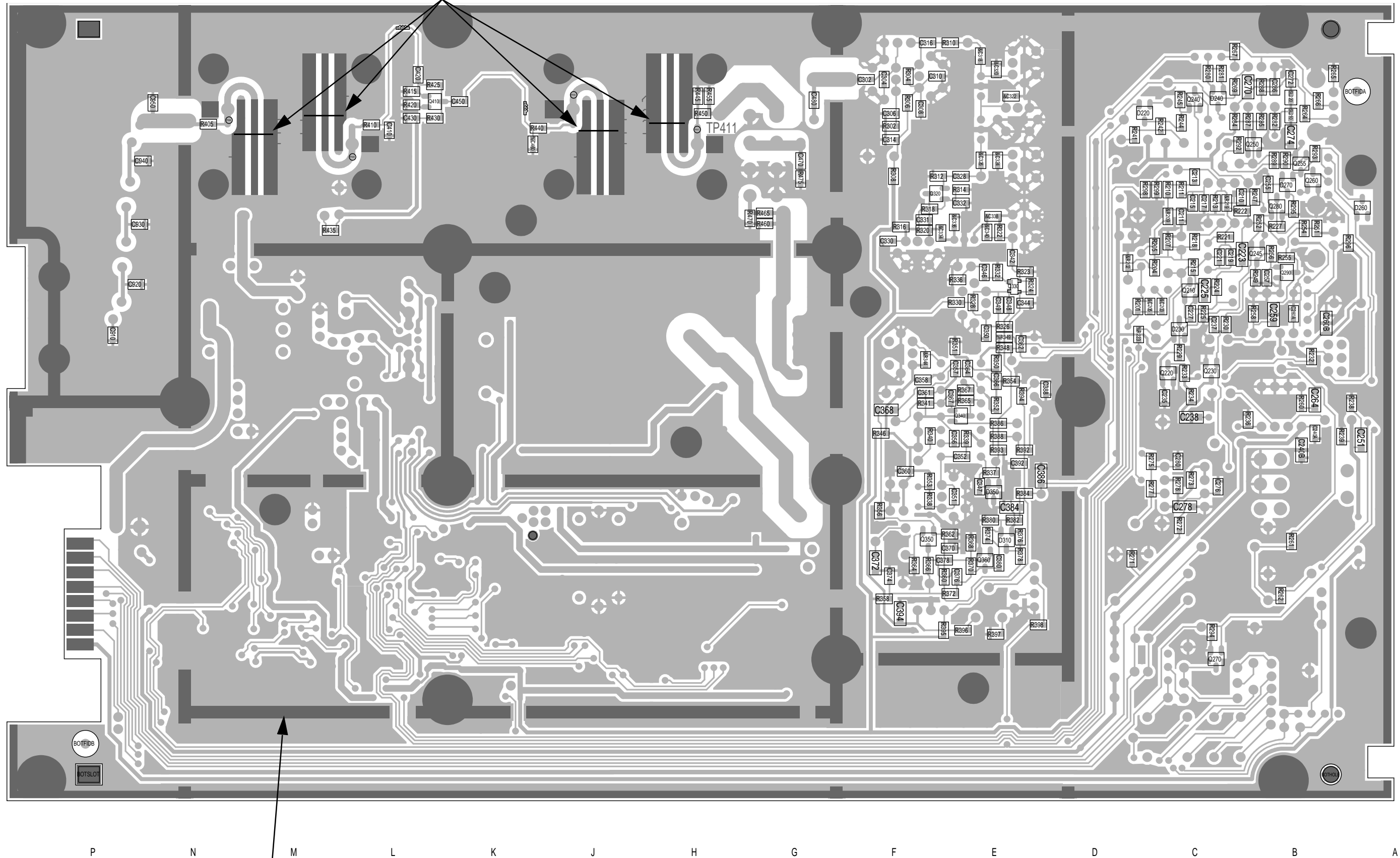


The darker shading shows the outline of the chassis.

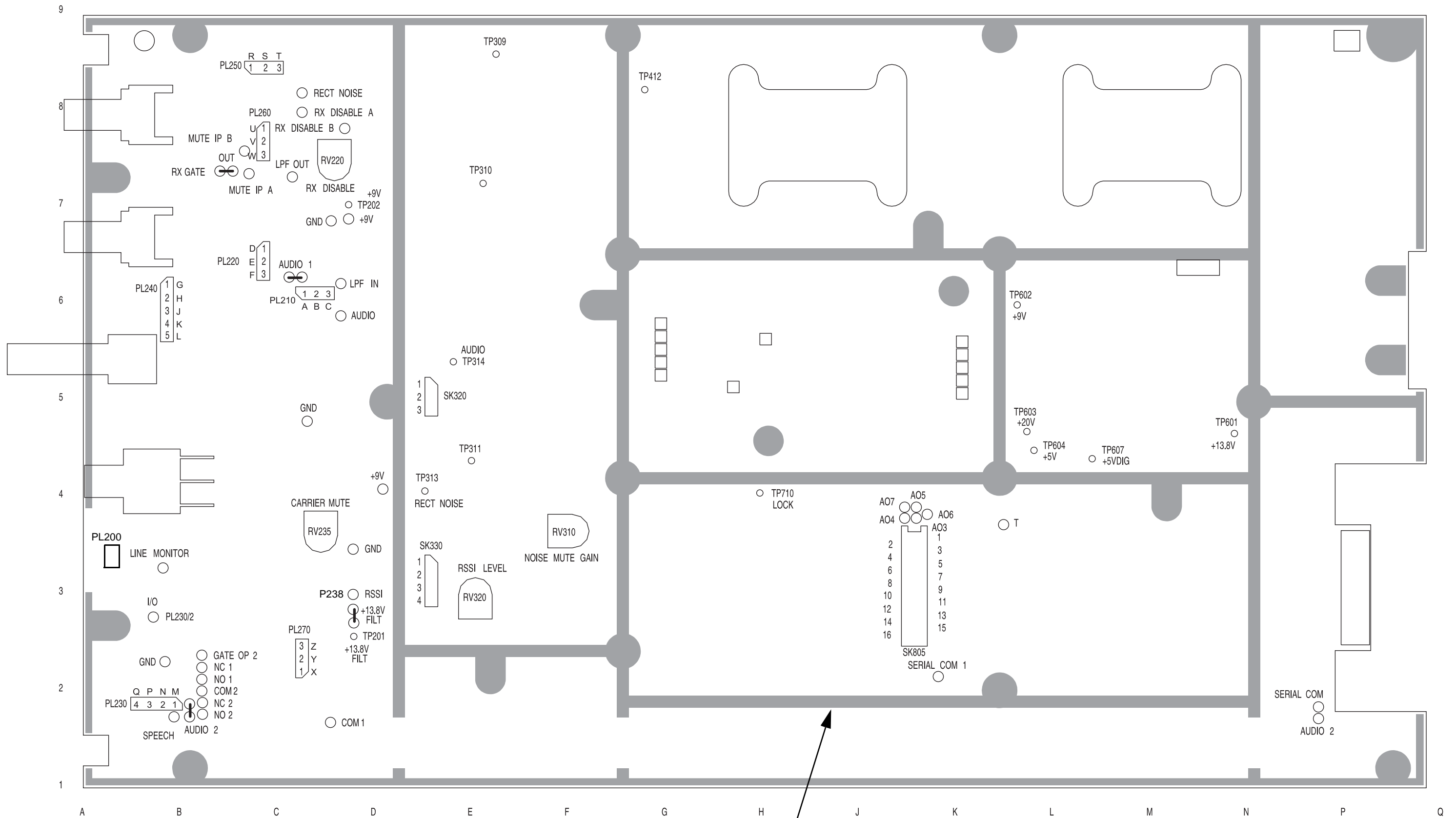
T855 PCB Layout - Top Side
220-01396-03

These link wires are positioned according to frequency range and should not be moved as their position is optimised in the factory.

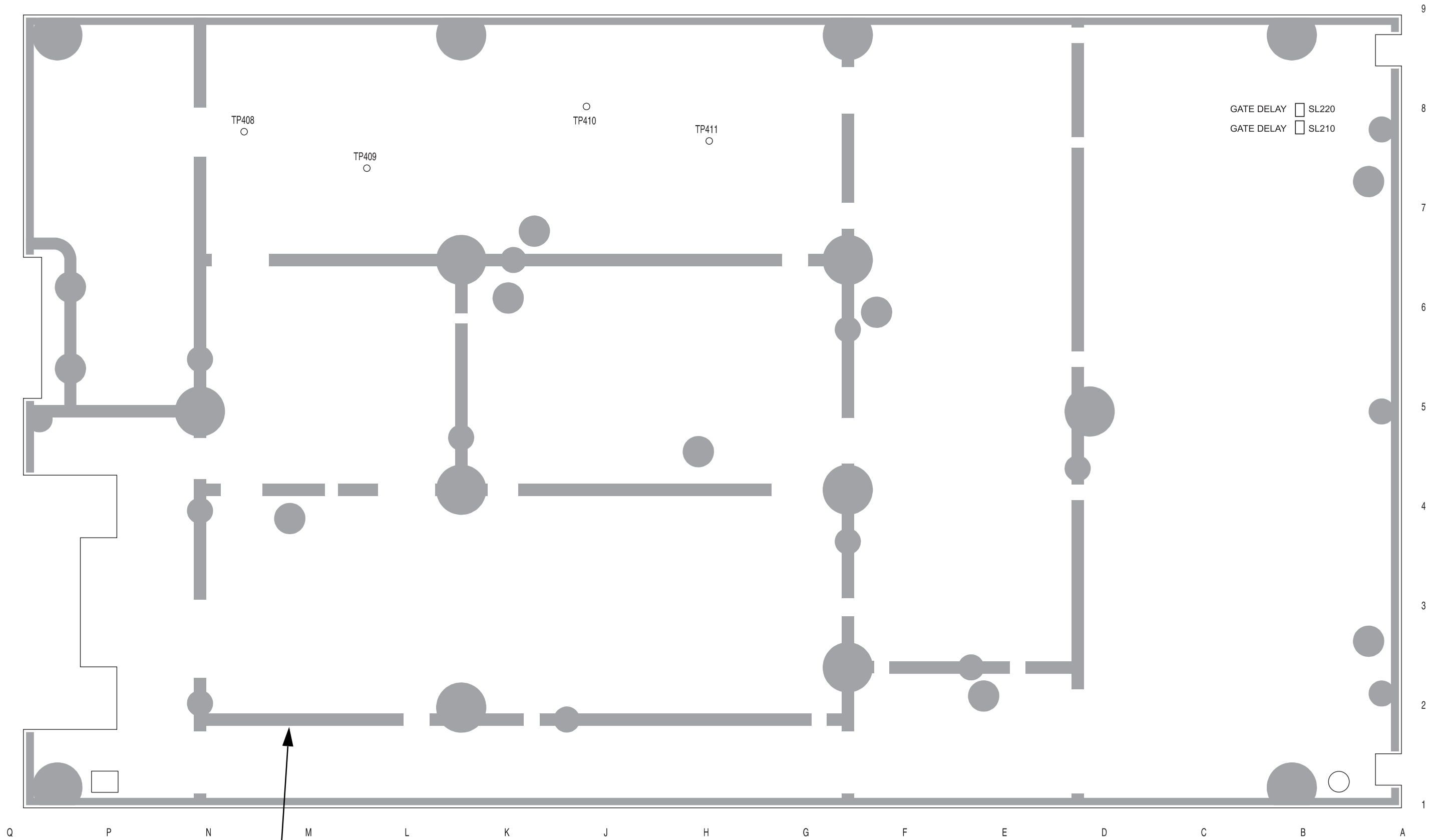


The darker shading shows the footprint of the bottom cover.

T855 PCB Layout - Bottom Side
 220-01396-03

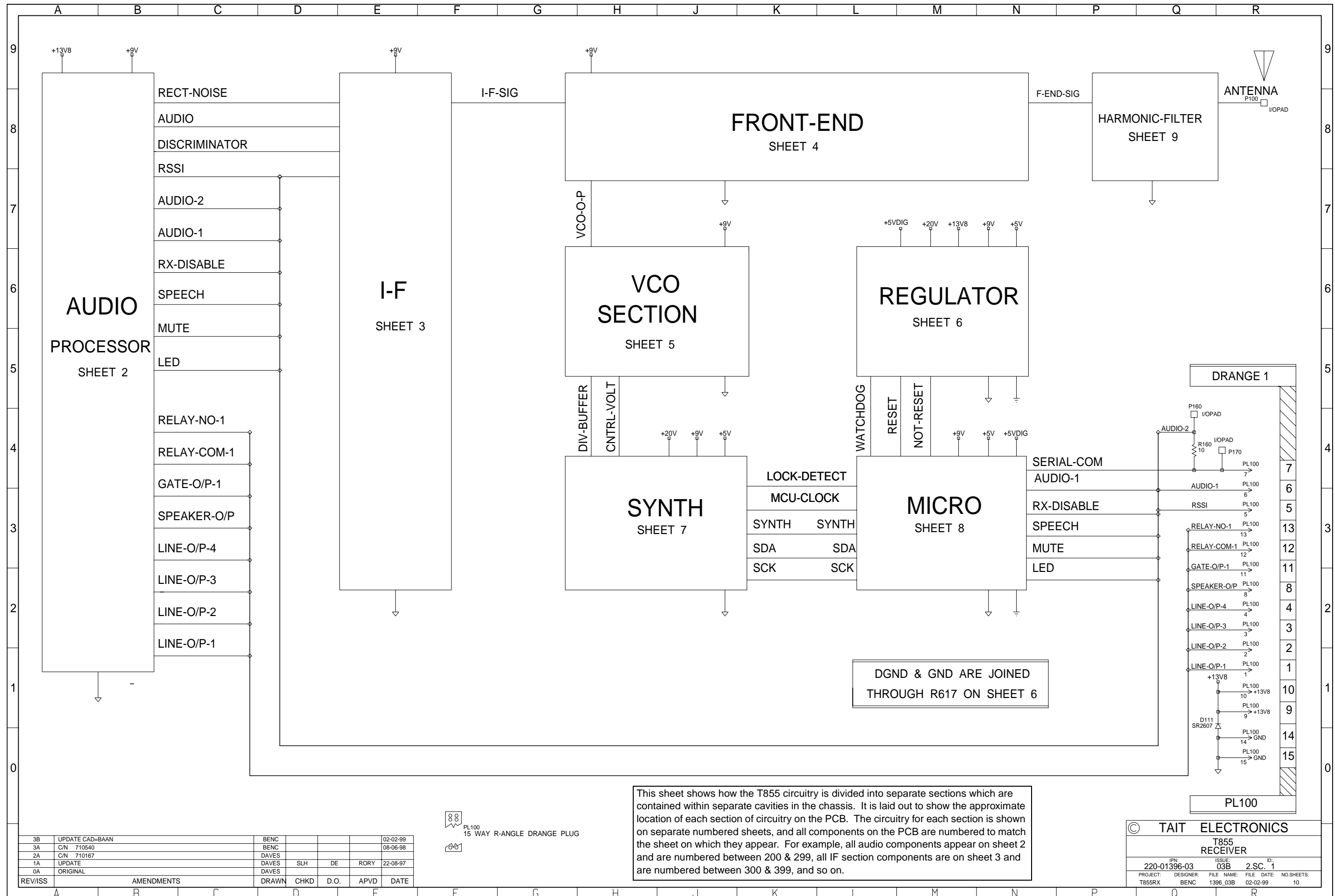


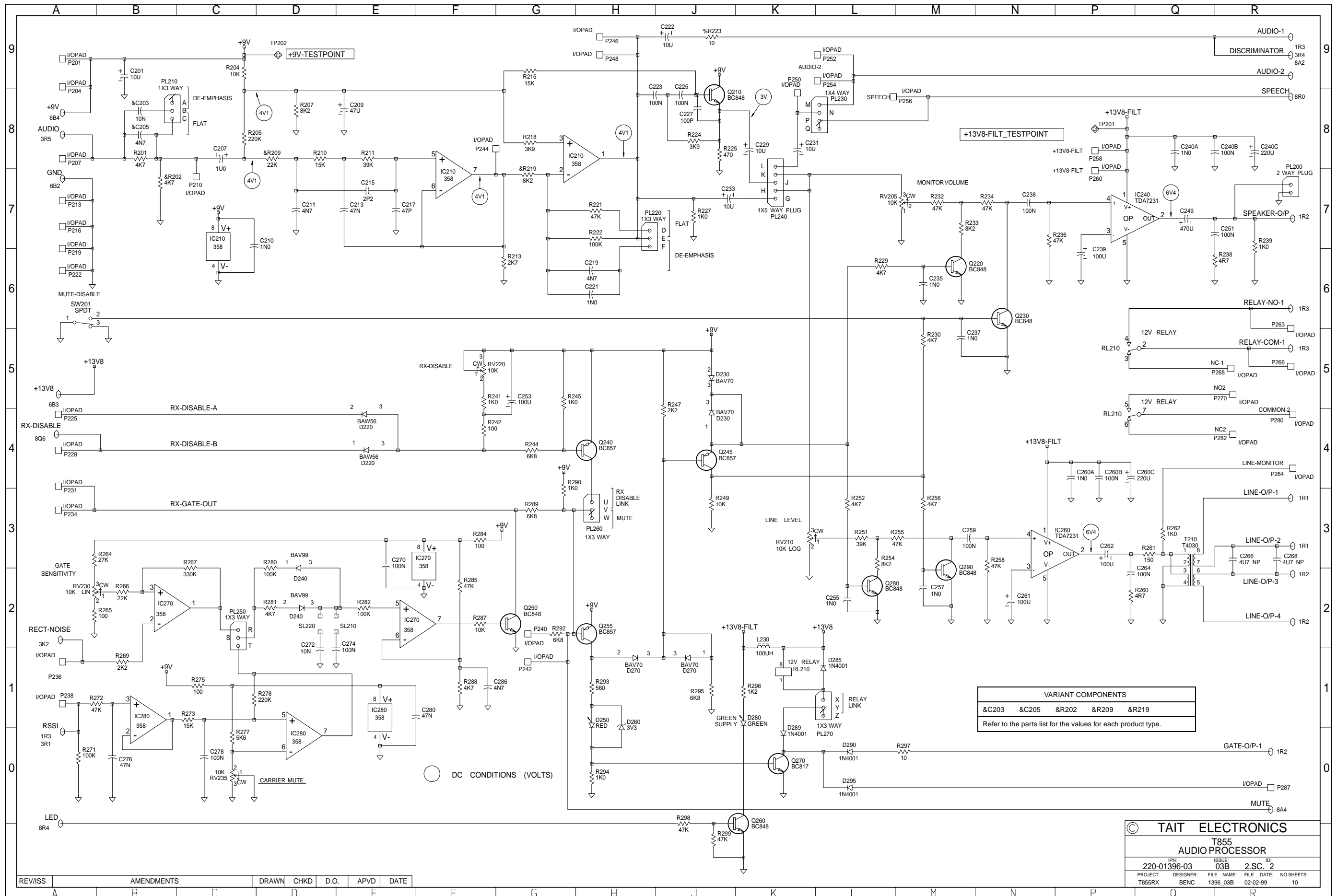
The darker shading shows the outline of the chassis.



The darker shading shows the footprint of the bottom cover.

T855 Test Points & Options Connections - Bottom Side
220-01396-03



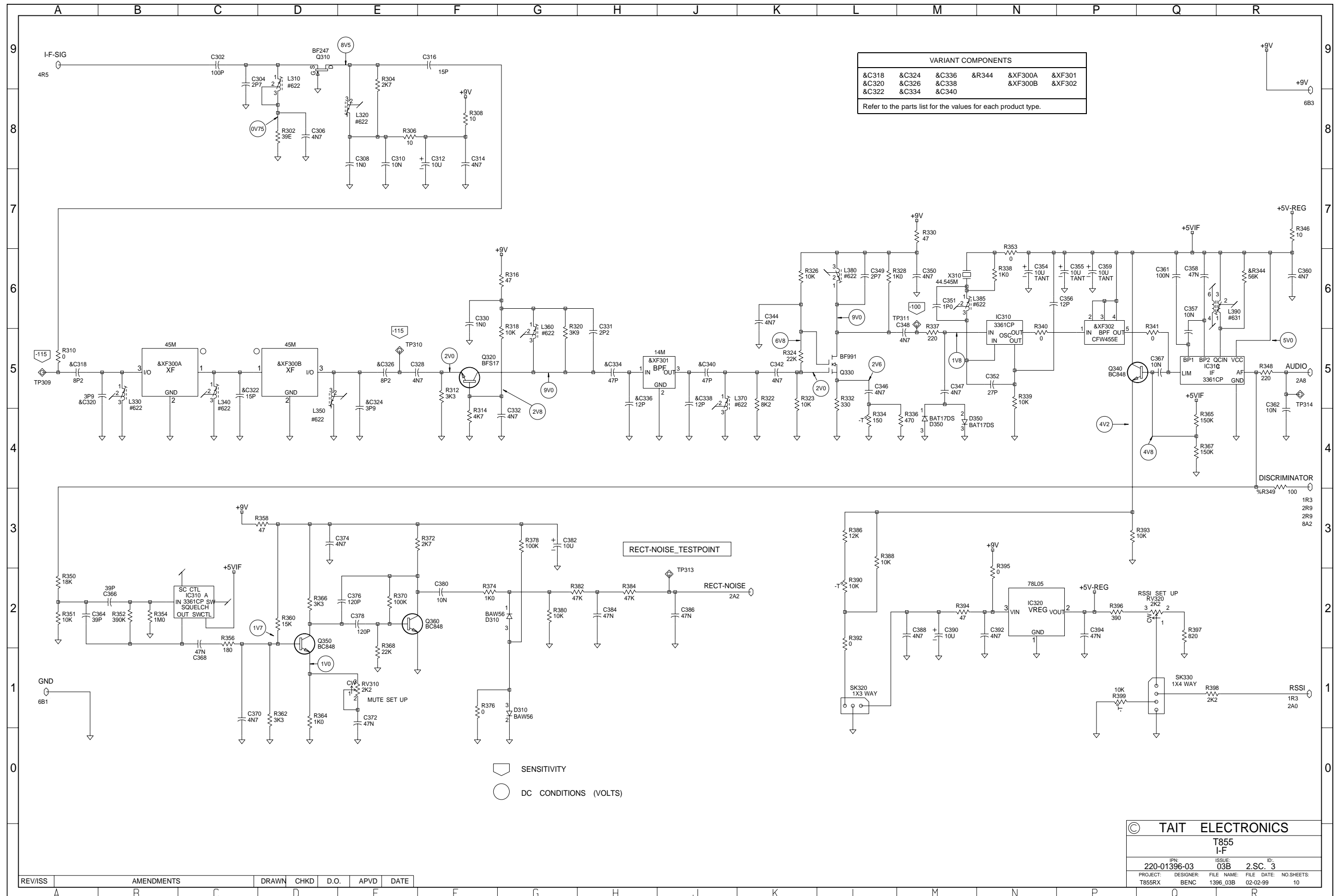


VARIANT COMPONENTS
&C203 &C205 &R202 &R209 &R219
Refer to the parts list for the values for each product type.

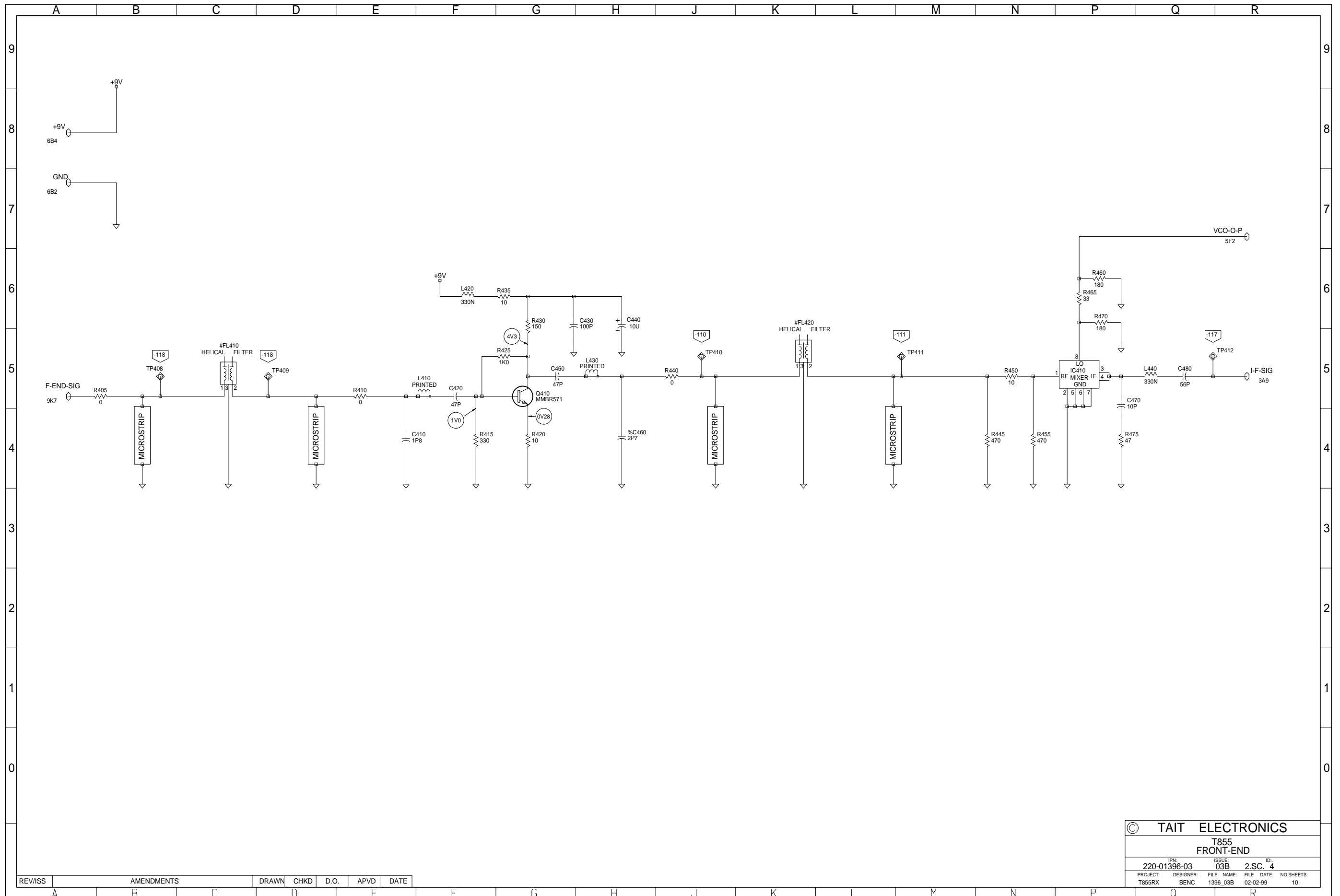
© TAIT ELECTRONICS
T855
AUDIO PROCESSOR

| | | |
|--------------|------------|------------|
| IPN | ISSUE | ID |
| 220-01396-03 | 03B | 2.SC. 2 |
| PROJECT: | DESIGNER: | FILE NAME: |
| T855RX | BENC | 1396_03B |
| DATE: | NO.SHEETS: | |
| 02-02-99 | 10 | |

| REV/ISS | AMENDMENTS | DRAWN | CHKD | D.O. | APVD | DATE |
|---------|------------|-------|------|------|------|------|
| A | | | | | | |
| B | | | | | | |
| C | | | | | | |
| D | | | | | | |
| E | | | | | | |

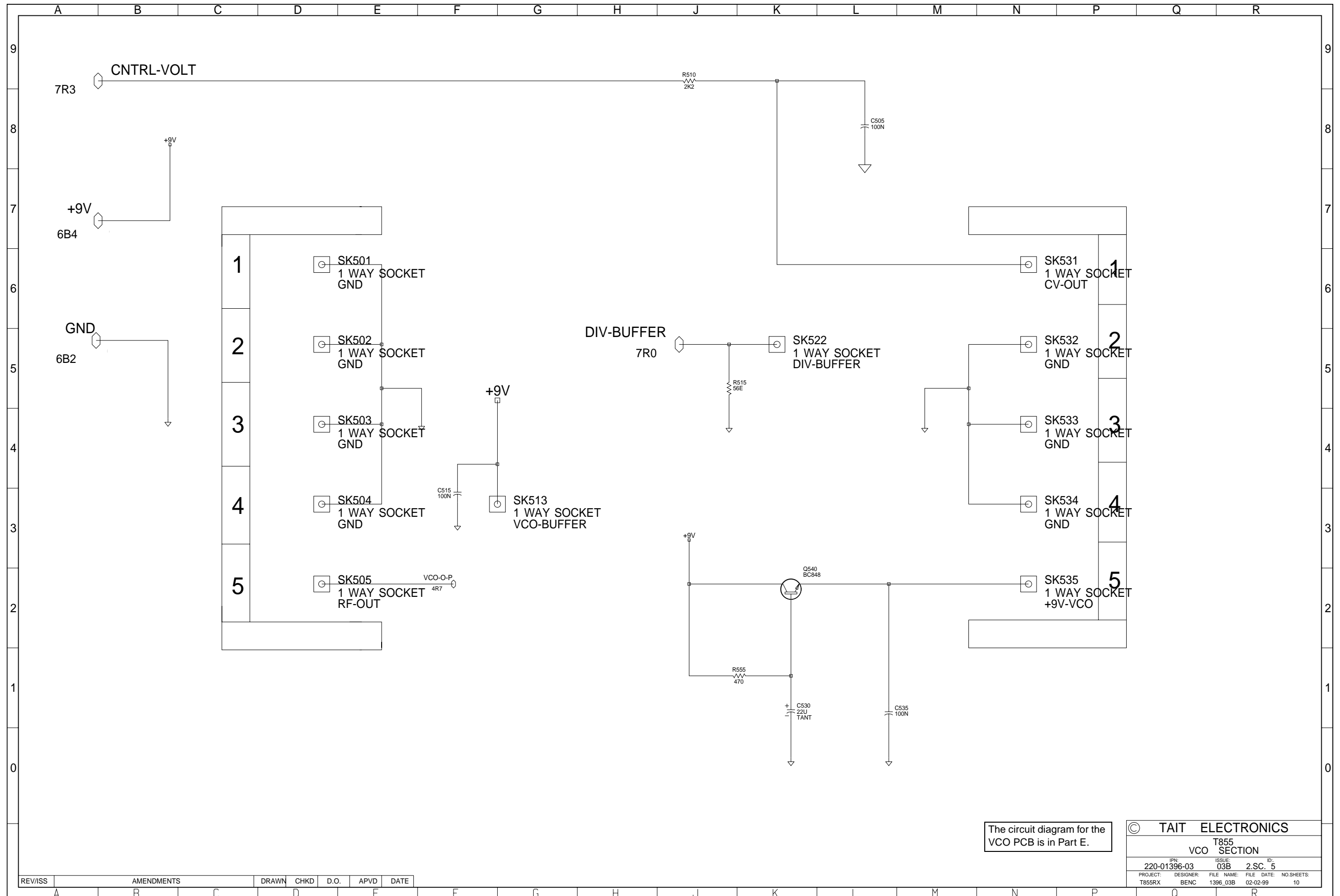


© TAIT ELECTRONICS
 T855
 I-F
 IPN: 220-01396-03 ISSUE: 03B 2.S.C. 3
 PROJECT: T855RX DESIGNER: BENC FILE NAME: 1396_03B FILE DATE: 02-02-99 NO.SHEETS: 10



| | |
|---------------------|---------------------|
| © TAIT ELECTRONICS | |
| T855 FRONT-END | |
| IPN: 220-01396-03 | ISSUE: 03B |
| PROJECT: T855RX | DESIGNER: BENC |
| FILE NAME: 1396_03B | FILE DATE: 02-02-99 |
| ID: 2.SC. 4 | NO. SHEETS: 10 |

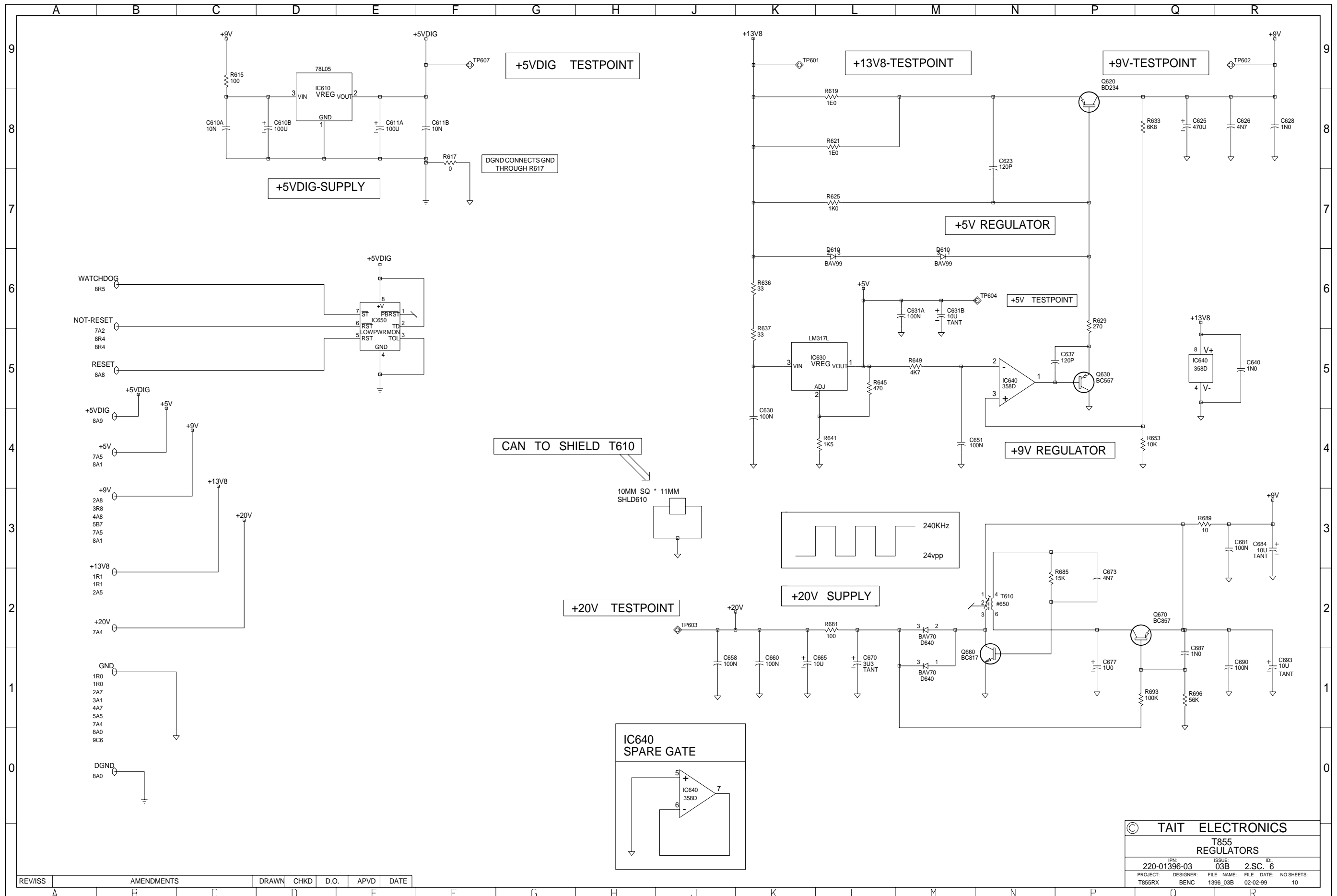
| REV/ISS | AMENDMENTS | DRAWN | CHKD | D.O. | APVD | DATE |
|---------|------------|-------|------|------|------|------|
| A | | | | | | |



The circuit diagram for the VCO PCB is in Part E.

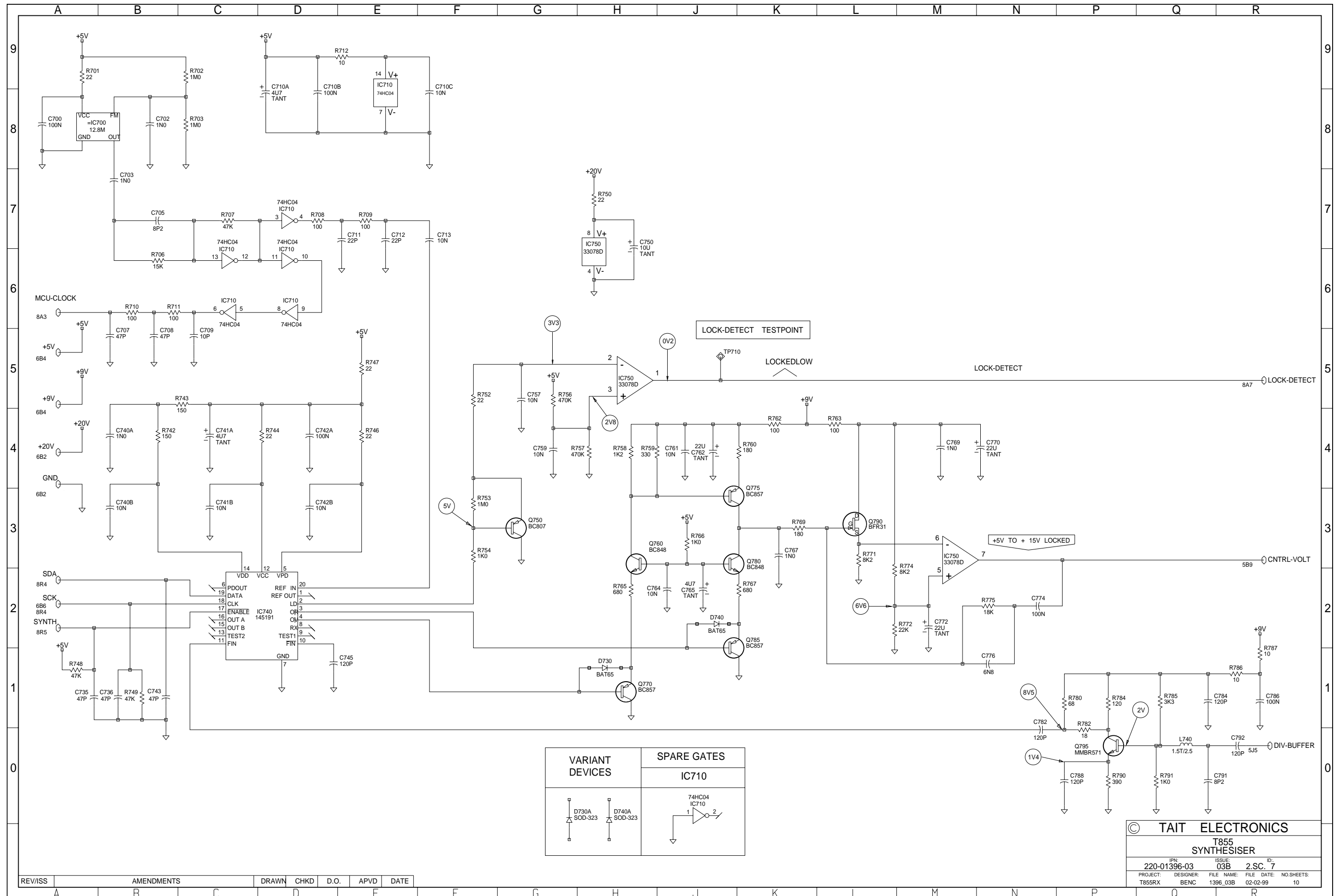
| | |
|---------------------|---------------------|
| © TAIT ELECTRONICS | |
| T855 SECTION | |
| IPN: 220-01396-03 | ISSUE: 03B |
| PROJECT: T855RX | DESIGNER: BENC |
| FILE NAME: 1396_03B | FILE DATE: 02-02-99 |
| NO. SHEETS: 10 | 2.S.C. 5 |

| REV/ISS | AMENDMENTS | DRAWN | CHKD | D.O. | APVD | DATE |
|---------|------------|-------|------|------|------|------|
| A | B | C | D | E | F | G |

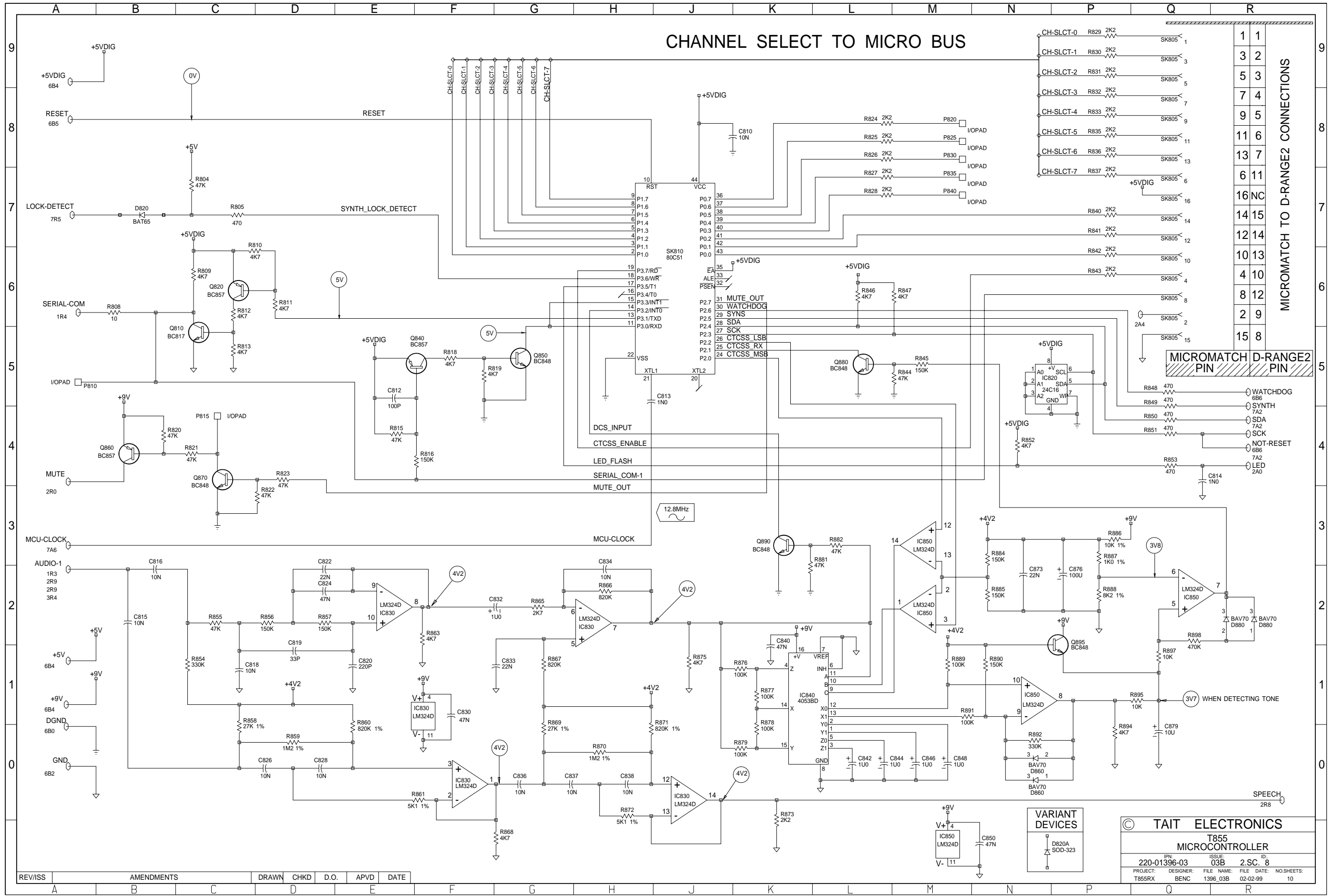


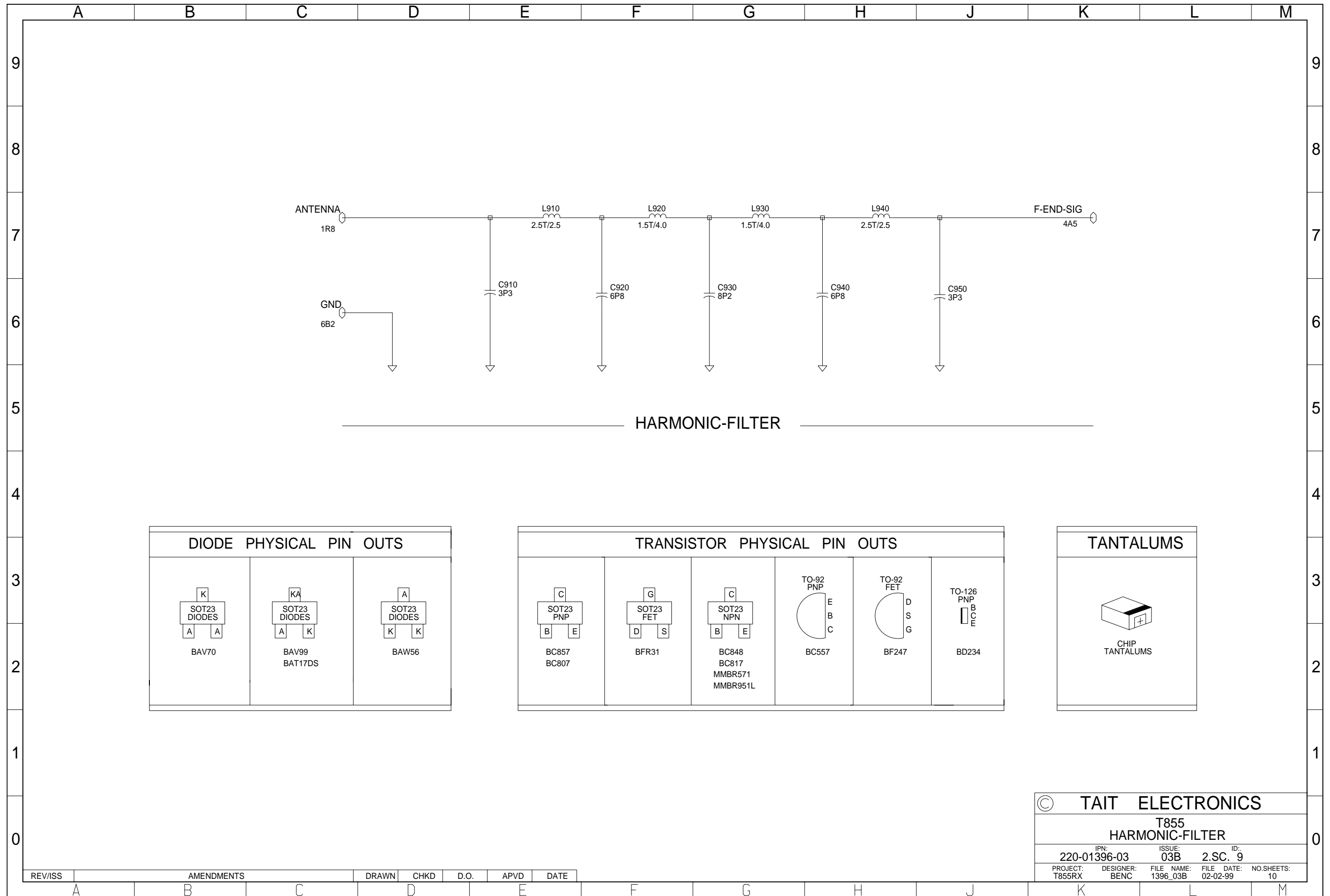
| REV/ISS | AMENDMENTS | DRAWN | CHKD | D.O. | APVD | DATE |
|---------|------------|-------|------|------|------|------|
| A | B | C | D | E | | |

| | |
|---------------------|---------------------|
| © TAIT ELECTRONICS | |
| T855 REGULATORS | |
| IPN: 220-01396-03 | ISSUE: 03B |
| PROJECT: T855RX | DESIGNER: BENC |
| FILE NAME: 1396_03B | FILE DATE: 02-02-99 |
| NO. SHEETS: 10 | 2.S.C. 6 |



© TAIT ELECTRONICS
T855 SYNTHESISER
IPN: 220-01396-03 ISSUE: 03B ID: 2.S.C. 7
PROJECT: T855RX DESIGNER: BENC FILE NAME: 1396_03B FILE DATE: 02-02-99 NO SHEETS: 10





| | | | | |
|----------------------|--------------|-------------|------|---------------------|
| © TAIT ELECTRONICS | | | | |
| T855 HARMONIC-FILTER | | | | |
| IPN: | 220-01396-03 | ISSUE: | 03B | ID: 2.SC. 9 |
| PROJECT: | T855RX | DESIGNER: | BENC | FILE DATE: 02-02-99 |
| FILE NAME: | 1396_03B | NO. SHEETS: | 10 | |

| REV/ISS | AMENDMENTS | DRAWN | CHKD | D.O. | APVD | DATE |
|---------|------------|-------|------|------|------|------|
| | | | | | | |

